

Diagram C
Proper wiring of the Power Trim Gauge

Merchandise warranted against defects in factory workmanship and materials for a period of 24 months after purchase. This warranty applies to the first retail purchaser and covers only those products exposed to normal use or service. Provisions of this warranty shall not apply to a VDO product used for a purpose for which it is not designed, or which has been altered in any way that would be detrimental to the performance or life of the product, or misapplication, misuse, negligence or accident. On any VDO part or VDO product found to be defective after examination by manufacturer, manufacturer will only repair or replace the merchandise through the original selling dealer. Manufacturer assumes no responsibility for diagnosis, removal and/or installation labor, loss of vehicle use, loss of time, inconvenience or any other consequential expenses. The warranties herein are in lieu of any other expressed or implied warranties, including any implied warranty of merchantability of fitness, and any other obligation on the part of manufacturer, or selling dealer.

(NOTE: This is a "Limited Warranty" as defined by the Magnuson-Moss Warranty Act of 1975.)

1 BEGIN HERE

CAUTION:

Read these instructions thoroughly before making installation. Do not deviate from assembly or wiring instructions. Always disconnect battery ground before making any electrical connections. If in doubt, please contact your dealer or VDO at 1-800-265-1818.

Gauge Installation:

1. Select the location for the instrument and cut a 2 1/16" hole. (See Diagram A)
2. Insert the gauge and secure it with the VDO Spin-Lok™ Clamp. DO NOT OVERTIGHTEN. (See Diagram B)

Wiring the Gauge:

1. Connect the appropriate positive (+), ground (negative [-]), and signal wires to the gauge and gauge lamp socket as shown in Diagram C.

[text continues at #2] ➔

CAUTION!!!

These instructions contain information about a 2 1/16" gauge. **The size of the mounting hole must be no larger than 2.1"** Be aware of this if you intend to cut a new hole for the gauge.

Tools and Materials Needed For Installation:

16 Gauge stranded, insulated wire
Non-insulated 1/4" spade connectors, female
2 1/16" hole saw
Drill and drill bit set
Half-round file
Tape measure or ruler
Small tools: wrench or nut driver, utility knife, pliers, etc.

Parts List

Item	Description	Quantity
1.	Power Trim Gauge (2 1/16" [52 mm] diameter)	1
2.	Lamp Socket (Push in, wedge-type)	1
3.	Light Bulb (12-volt / G.E. #158 or equivalent)	1
4.	VDO Spin-Lok™ Clamp	1
5.	Light Diffuser	1
6.	Installation Instructions	1

VDO
Marine

Power Trim Gauge Installation Instructions

Instruction Sheet #0 515 010 451
Rev. 10/09

INSTRUCTIONS FOR THE INSTALLATION OF THE ELECTRIC POWER TRIM GAUGE ARE CONTAINED HEREIN. USE IS RESTRICTED TO 12-VOLT NEGATIVE GROUND ELECTRICAL SYSTEMS. LIGHT BULB, IF SUPPLIED, IS 12 VOLT.

To Begin, go to #1

2 CONTINUE HERE

Remember: This gauge measures ohm resistance which is created by the sender. The ohm range of the sender and gauge **MUST MATCH** or the gauge will not be

accurate. VDO sells many gauges which work with other manufacturer's senders; but you must know the correct sender ohm range before you buy any of these gauges.

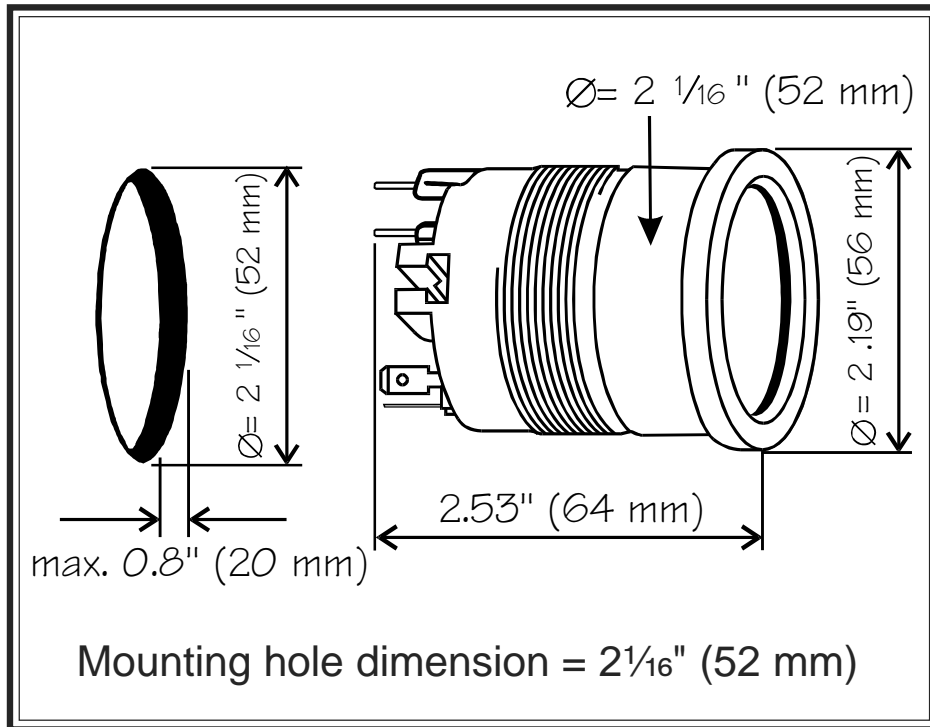


Diagram A
Gauge dimensions

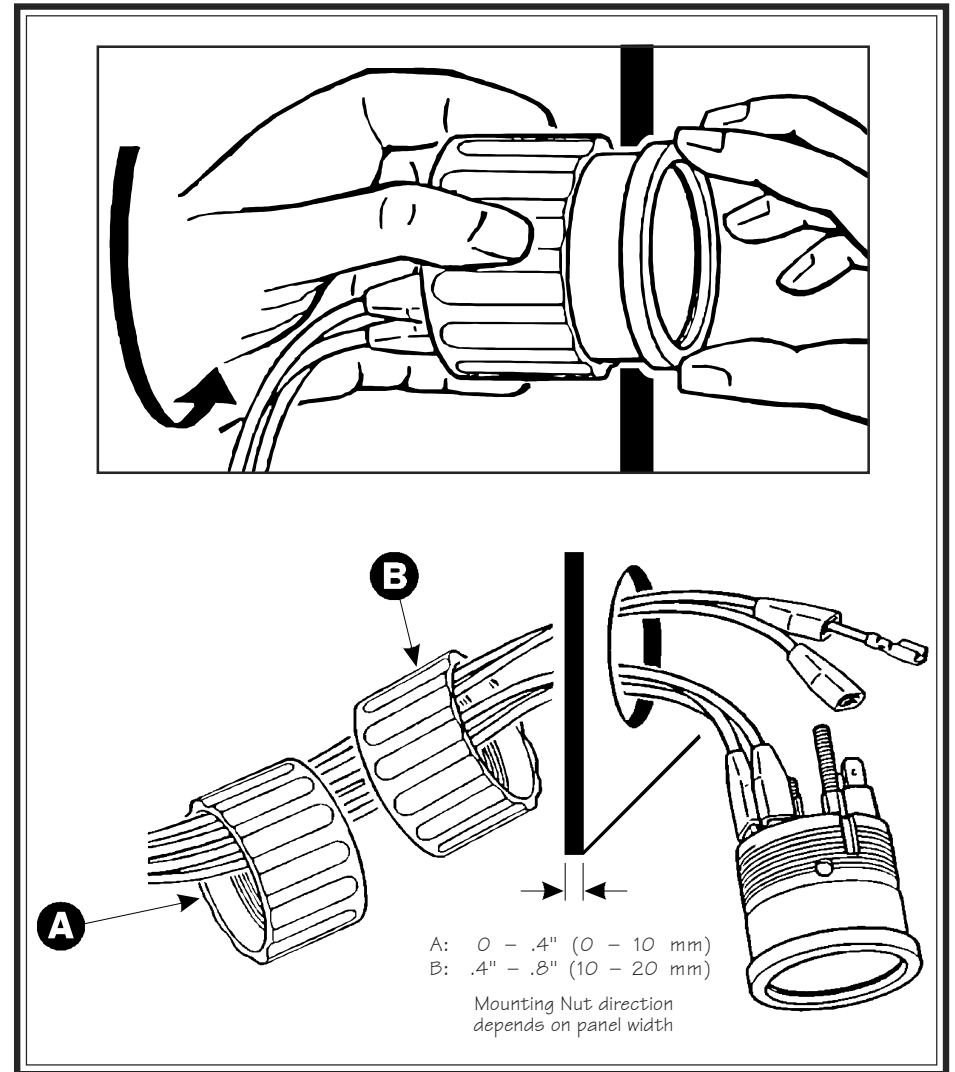


Diagram B
Proper mounting using VDO's Spin-Lok™ Mounting Clamp